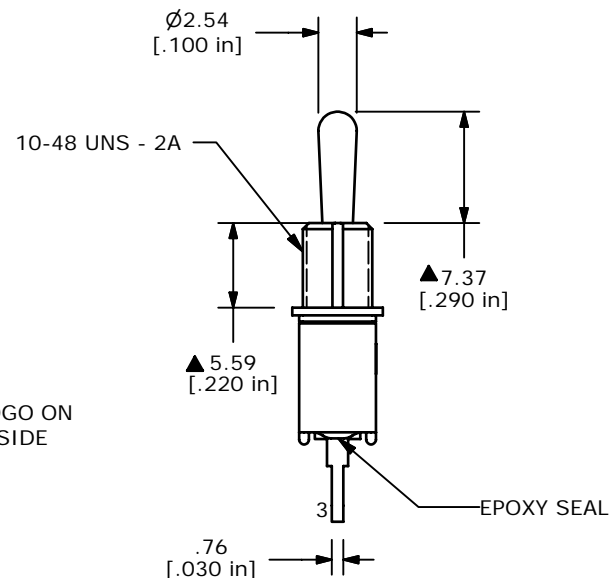
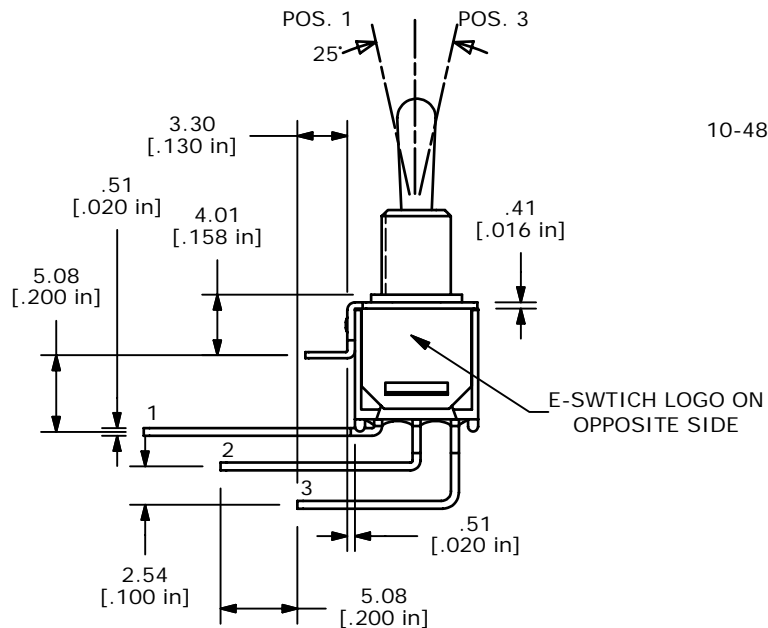
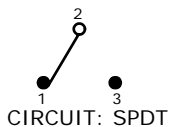


SWITCH FUNCTION		
POS. 1	POS. 2	POS. 3
ON	NONE	ON
2-3	N/A	2-1



- NOTE:
- ALL DIMENSIONS IN MM [INCH]
  - GENERAL TOLERANCE: X.X=±0.4  
X.XX=±0.25
  - TERMINAL NUMBERS FOR REF ONLY
  - CONTACT MATERIAL: SILVER
  - RATING: 3A @ 120VAC OR 28VDC  
1A @ 250VAC
  - ELECTRIC LIFE: 30,000 MAKE-AND-BREAK CYCLES AT FULL LOAD.
  - INSULATION RESISTANCE: 1,000 MEGA-OHM MIN.
  - DIELECTRIC STRENGTH: 1,000 V RMS @SEA LEVEL.
  - OPERATING TEMP.: -30°C to 85°C
  - 2002/95/EC (ROHS) COMPLIANT
  - ▲ DENOTES CRITICAL PARAMETER.
  - HARDWARE TO BE SHIPPED BULK:  
T200000 - LOCK WASHER (2)  
T200003 - LOCK RING (1)  
T200001 - HEX NUT (2)

**E-SWITCH®**

A	16457	RELEASED FOR PRODUCTION	9/13/06	BO
REV	PCR NO	DESCRIPTION	DATE	BY

TITLE 200MSP1T3B3M7QEH				
SCALE	DATE	DR	DWG	REV
2:1	9/13/2006	BO	ST211002	A

THE INFORMATION CONTAINED IN THIS DOCUMENT IS PROPRIETARY TO E-SWITCH AND IS NOT TO BE COPIED OR TRANSFERRED